



PD500-TO46-BL-3pin

Introduction:

- High Responsivity, front side illuminated, double-side pads
- 500um, round optical window
- For near-infrared sensing, monitoring and meter/instruments
- Low Dark Current
- Respond to C-Band and 1700nm; L-Band
- Optimized for Methane(CH₄) detection(1654nm), improving responsivity in low-temperature environment

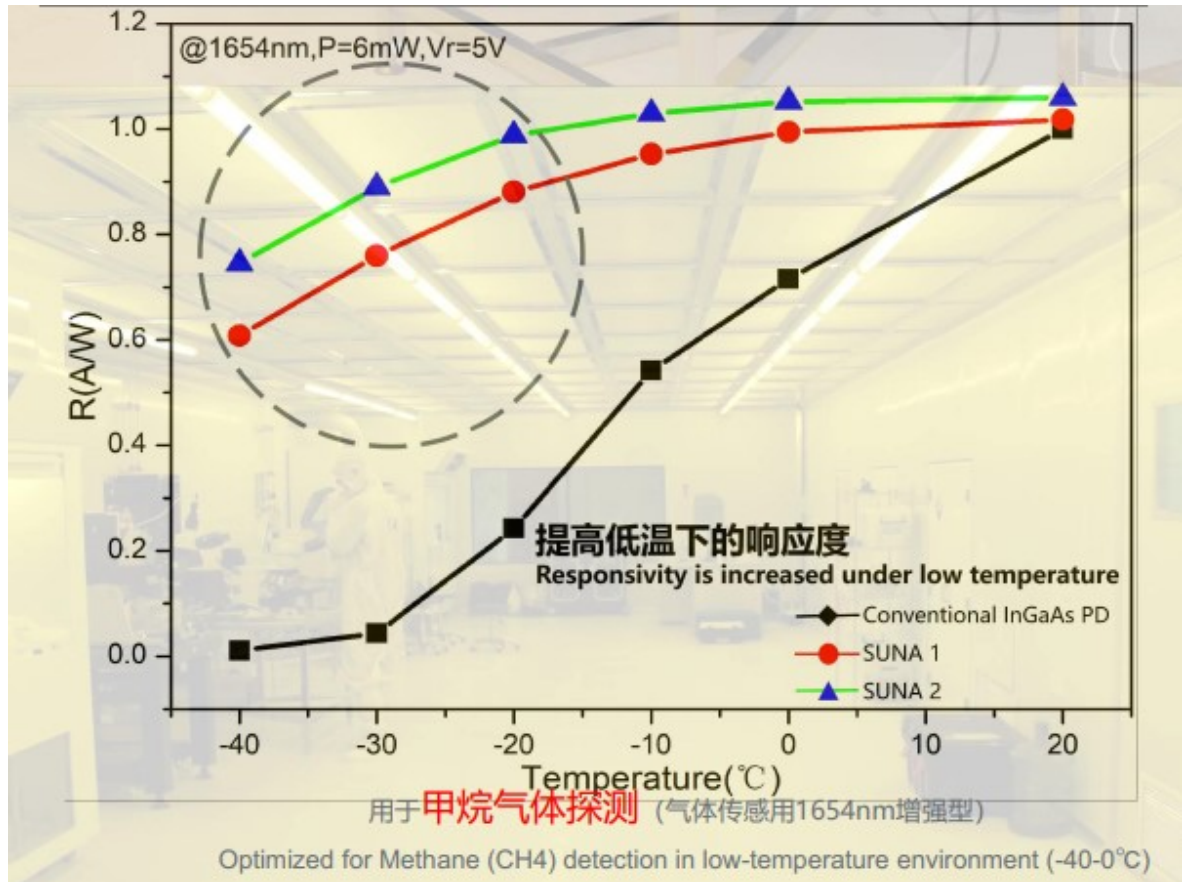
Specifications:

Absolute Maximum Ratings:

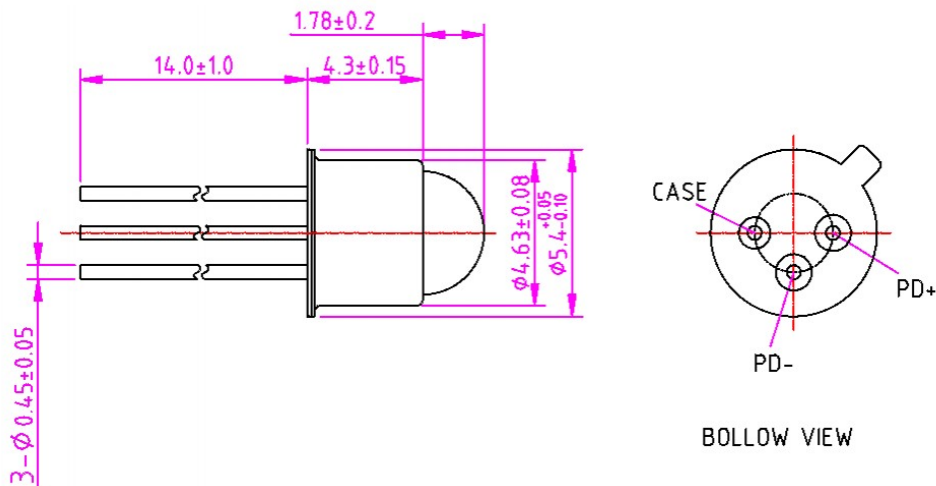
Parameter	Symbol	Min.	Max.	Unit
Reverse Voltage	V _R	—	20	V
Forward Current	I _F	—	10	mA
Max. Optical Input Power	P _{MAX}	—	15	mW
Operating Temperature	Top	-40	+85	°C
Storage Temperature	T _{stg}	-40	+125	°C
Lead Solder Temperature	—	—	320	°C
Lead Solder Time	—	—	5	s

Characteristics: (Ta=25°C unless otherwise noted)

Parameter	Symbol	Test Conditions	Min.	Typ.	Max.	Unit	
Active Diameter	D	—	—	500	—	μm	
Responsivity	@1310nm	R	V _R =5V	0.85	0.90	—	A/W
	@1550nm	R	V _R =5V	0.85	0.90	—	A/W
	@1654nm	R	V _R =5V	0.85	0.90	—	A/W
Dark Current	I _D	V _R =5V	—	0.5	2	nA	
Chip Capacitance	C _{chip}	V _R =5V, f=1MHz	—	16	25	pF	
Optical Spectrum Response Range	λ	—	1100	—	1700	nm	
Operating Voltage	V	—	—	-5.0	—	V	
Breakdown	V _R	-10uA	-20	-38	-60	V	
Forward voltage	V _f	1mA	0.4	0.5	1	V	

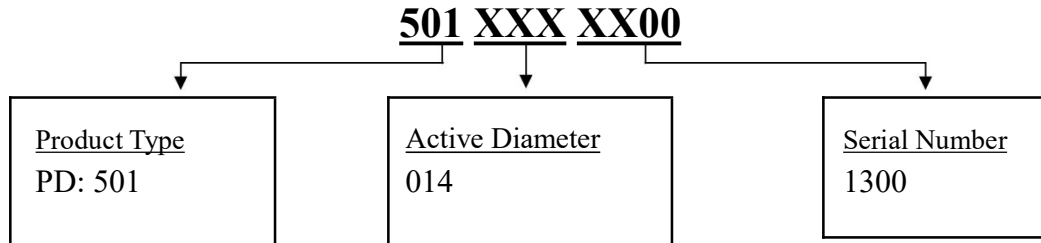


Mechanical Dimension and Pin Assignment:





Order Information:



Statement:

SAN-U owns the authority for final explanation of all information contained in this document, which is subject to change without notice. All the information was obtained in particular environments; and SAN-U will not be responsible for the performance of the customers' actual operating environments. All information contained is only for the users' reference and shall not be considered as warranted characteristics. SAN-U will not be liable for damages arising directly or indirectly which from any use of the information contained in this document.

Contact Information:

Address: N501-505 Weiye Bldg., Xiamen Pioneering Park For Overseas Chinese Scholars, Xiamen, Fujian, China

Tel: +86-592-3898601, 3898608, 5318000

Fax: +86-592-5703588

Email: sales@san-u.com

<http://www.san-u.com>